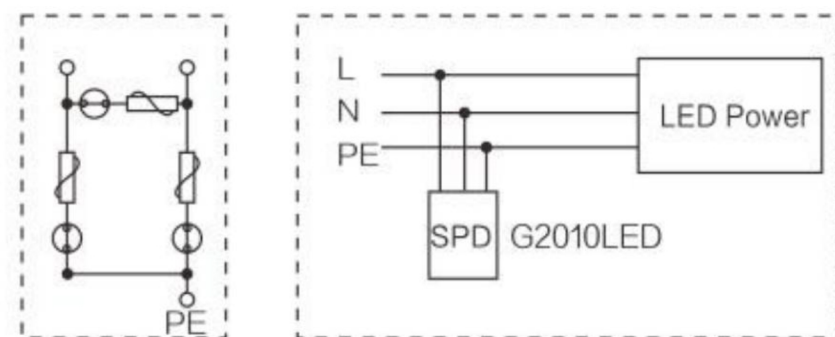
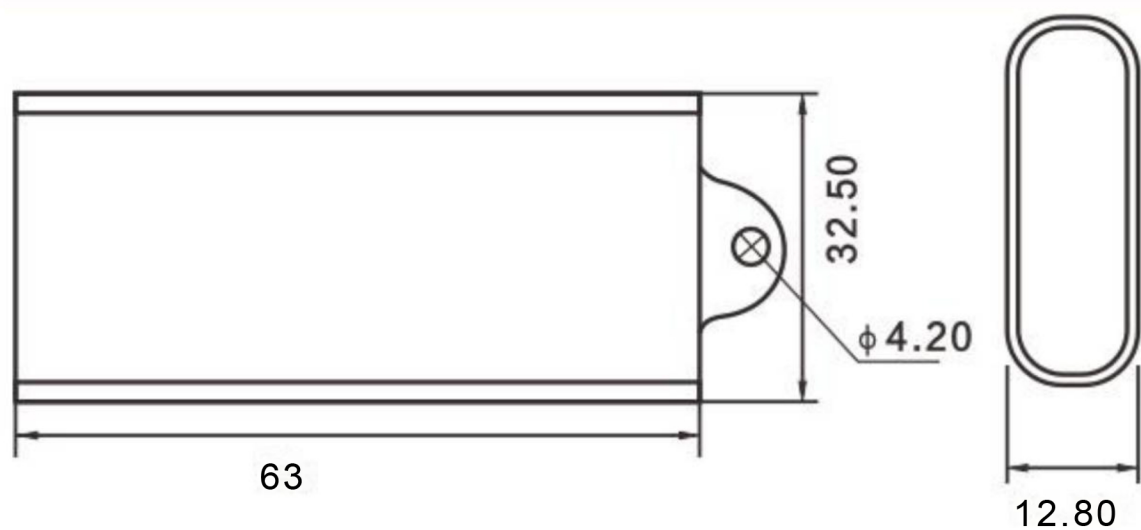


- LED outdoor lighting system dedicated
- Miniaturized, suitable for mounting inside the lamp housing
- Meet the requirements of IP65 (line connection)
- Two connecting ways of wire or terminal (two specifications)
- Maximum discharge current 10kA (control signal 100A)
- Meet IEC61643-1/EN61643-11 standards

The LED series is a full range of AC surge protector products specially designed for LED outdoor lighting systems. It is divided into two types: Class I and Class II. It also has two types of connection: wire and terminal. Some versions are also equipped with signal (DALI, RS485, 0-10V) protection functions to meet different line standards in different countries around the world.

Product dimension drawing

Remote alarm terminal and use



Order model	Uc(V)	In(8/20ps)	Imax(8/20ps)	Up	Ta(ns)	Certificate
G2010LED	220V	5kA	10kA	^1.0KV	^25ns	TUV,CE,CQC