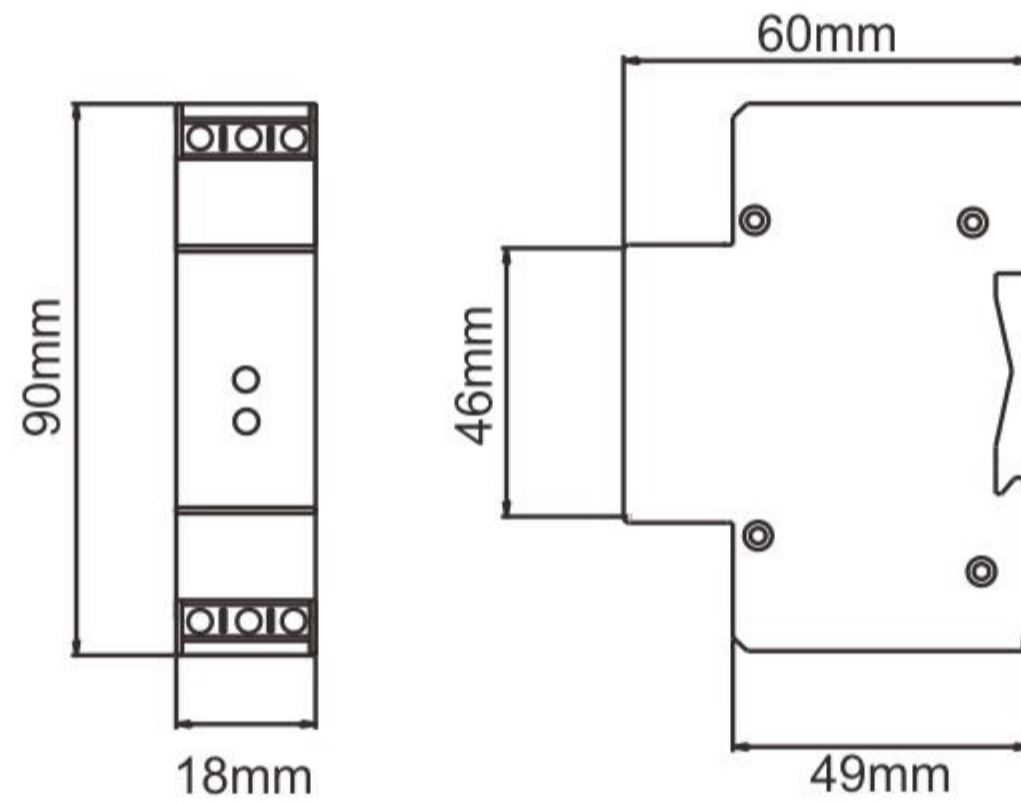




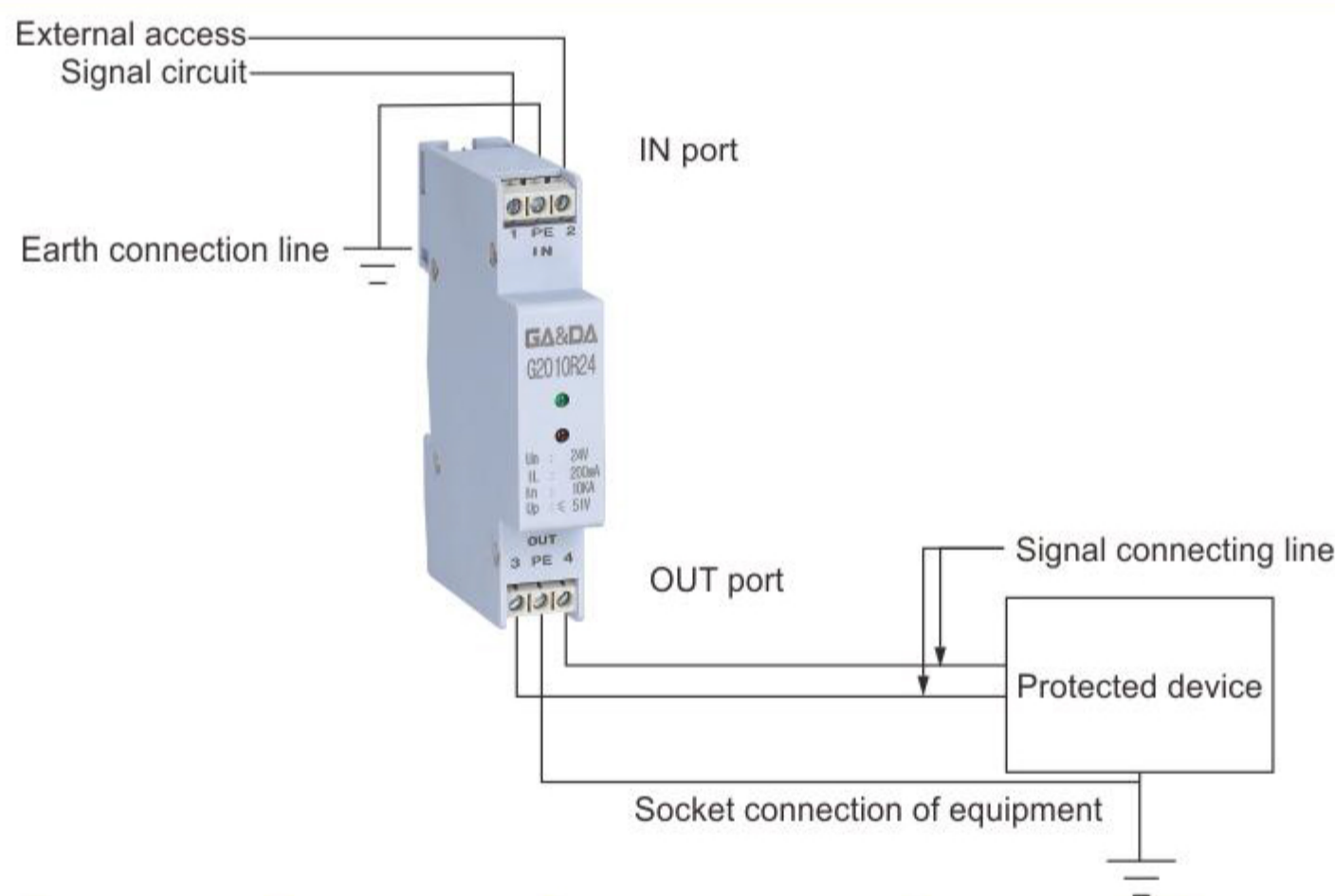
- Modular standard 35mm rail mounting
- The maximum discharge current is 10kA(8/20μs)
- Reaction rate: 10⁻¹² sec
- Terminal column interface
- Selection of multiple voltage ratings
- Protect the 2~4 signal line
- Pluggable structure (XP model)

G2010R24/48/110/220 series It is suitable for surge protection of communication line / telemetry signal / remote signal and other signal equipment. The product adopts standard connection column interface, which can protect 2~4 lines. The product adopts two-stage series circuit structure, the reaction time is picosecond, and it can fully protect the equipment with the latest semiconductor device.

Product dimension drawing



Installation Diagram



Order model	Uc(V)	In(8/20μs)	I _{max} (8/20μs)	U _p	T _a (ns)	Certificate
G2010R24	24V	10kA	20kA	≤51V	≤25ns	TUV,CE,CQC
G2010R110	110V	10kA	20kA	≤500V	≤25ns	TUV,CE,CQC
G2010R220	220V	10kA	20kA	≤700V	≤25ns	TUV,CE,CQC