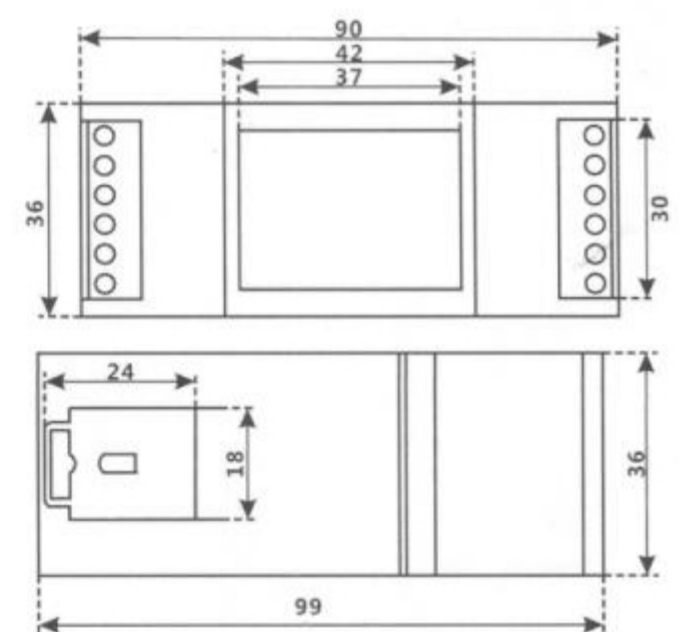
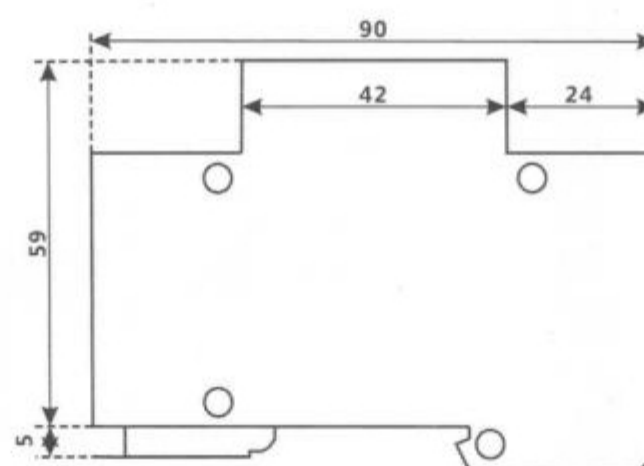
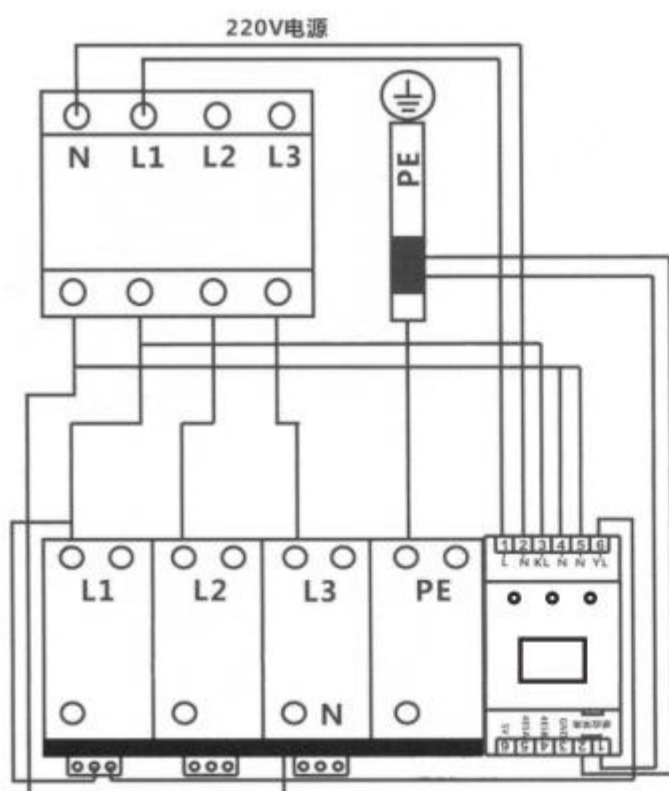




- Lightning count function, when struck by lightning, second level alarm
- SPD degradation alarm
- You can connect to a backend server, and within the network, computers and smartphones can remotely monitor any SPD
- Empty state detection
- RS485 communication

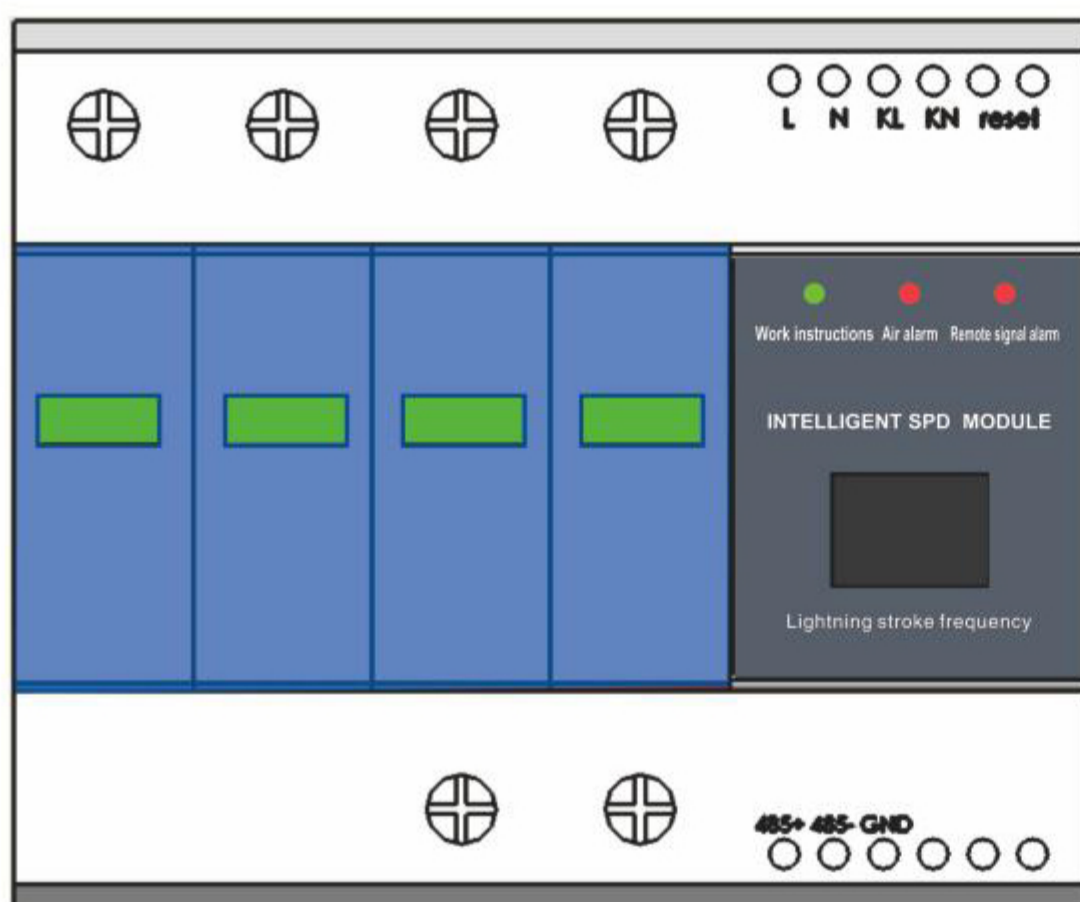
ZN series smart surge protection device is suitable for power industry, railway industry, petroleum and petrochemical industry, new energy industry, communication industry, environmental protection water industry, airport terminal power distribution system, realizing real-time monitoring of SPD lightning protection status, suitable for different power supply systems (TT, IT, TN)

Product dimension drawing



Unipolar assembly intelligent module

Installation Diagram



- L--is the 220V fire wire
- N--is the 220V null wire
- KL-- monitors the L terminal for the air switch
- KN-- monitors the N terminal for the air switch
- Reset-- the number of lightning strikes of reset digital display
- RS485+, RS485-, GND - for communication purposes
- Indicator light

Working indicator light	Working signal light, power on and usually light
Air switch alarm	When the air switch is in normal working condition, it often turns on
Remote alarm	When the remote signal is in normally closed state and the light is always bright
Lightning strike times	Two digital display

Order model	Uc(V)	In(8/20μs)	I _{max} (8/20μs)	I _{imp} (10/350μs)	U _p	Ta(ns)	Certificate
G2020ZN	280/335/385/420V	10kA	20kA	—	≤ 1.0/1.2/1.45/1.5kV	≤ 25ns	TUV,CE,CQC
G2040ZN	280/335/385/420V	20kA	40kA	—	≤ 1.2/1.4/1.6/1.8kV	≤ 25ns	TUV,CE,CQC
G2080ZN	280/335/385/420V	40kA	80kA	—	≤ 1.8/2.0/2.2/2.4kV	≤ 25ns	TUV,CE,CQC